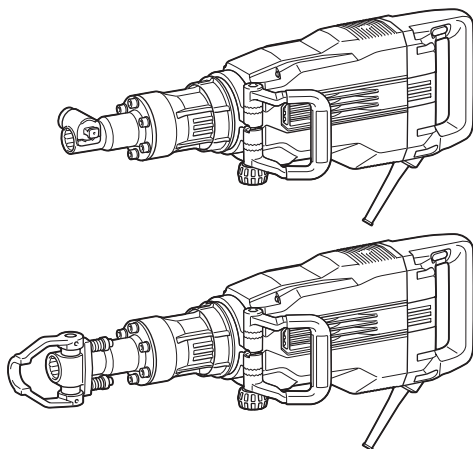


## INSTRUCTION MANUAL



# Electric Breaker

HM1511  
HM1501  
HM1512  
HM1502



DOUBLE INSULATION



Read before use.

# SPECIFICATIONS

Model:	HM1511	HM1501	HM1512	HM1502
Blows per minute	1,300 min <sup>-1</sup>			
Overall length	781 mm		809 mm	
Net weight	19.2 kg	18.4 kg	20.4 kg	19.7 kg
Safety class	□/II			
Soft no-load rotation function	✓	-	✓	-

- Due to our continuing program of research and development, the specifications herein are subject to change without notice.
- Specifications may differ from country to country.
- The weight may differ depending on the attachment(s). The lightest and heaviest combination, according to EPTA-Procedure 01/2014, are shown in the table.

## Symbols

The followings show the symbols which may be used for the equipment. Be sure that you understand their meaning before use.



Read instruction manual.



DOUBLE INSULATION



Only for EU countries  
Do not dispose of electric equipment together with household waste material! In observance of the European Directive, on Waste Electric and Electronic Equipment and its implementation in accordance with national law, electric equipment that have reached the end of their life must be collected separately and returned to an environmentally compatible recycling facility.

## Intended use

The tool is intended for chiselling work in concrete, brick, stone and asphalt as well as for driving and compacting with appropriate accessories.

## Power supply

The tool should be connected only to a power supply of the same voltage as indicated on the nameplate, and can only be operated on single-phase AC supply. They are double-insulated and can, therefore, also be used from sockets without earth wire.

# SAFETY WARNINGS

## General power tool safety warnings

**⚠ WARNING: Read all safety warnings, instructions, illustrations and specifications provided with this power tool.** Failure to follow all instructions listed below may result in electric shock, fire and/or serious injury.

## Save all warnings and instructions for future reference.

The term "power tool" in the warnings refers to your mains-operated (corded) power tool or battery-operated (cordless) power tool.

### Work area safety

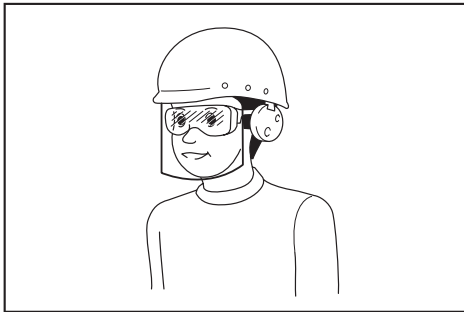
1. **Keep work area clean and well lit.** Cluttered or dark areas invite accidents.
2. **Do not operate power tools in explosive atmospheres, such as in the presence of flammable liquids, gases or dust.** Power tools create sparks which may ignite the dust or fumes.
3. **Keep children and bystanders away while operating a power tool.** Distractions can cause you to lose control.

### Electrical safety

1. **Power tool plugs must match the outlet. Never modify the plug in any way. Do not use any adapter plugs with earthed (grounded) power tools.** Unmodified plugs and matching outlets will reduce risk of electric shock.
2. **Avoid body contact with earthed or grounded surfaces, such as pipes, radiators, ranges and refrigerators.** There is an increased risk of electric shock if your body is earthed or grounded.
3. **Do not expose power tools to rain or wet conditions.** Water entering a power tool will increase the risk of electric shock.
4. **Do not abuse the cord. Never use the cord for carrying, pulling or unplugging the power tool. Keep cord away from heat, oil, sharp edges or moving parts.** Damaged or entangled cords increase the risk of electric shock.
5. **When operating a power tool outdoors, use an extension cord suitable for outdoor use.** Use of a cord suitable for outdoor use reduces the risk of electric shock.
6. **If operating a power tool in a damp location is unavoidable, use a residual current device (RCD) protected supply.** Use of an RCD reduces the risk of electric shock.
7. **Use of power supply via an RCD with a rated residual current of 30 mA or less is always recommended.**
8. **Power tools can produce electromagnetic fields (EMF) that are not harmful to the user.** However, users of pacemakers and other similar medical devices should contact the maker of their device and/or doctor for advice before operating this power tool.
9. **Do not touch the power plug with wet hands.**
10. **If the cord is damaged, have it replaced by the manufacturer or his agent in order to avoid a safety hazard.**

## Personal safety

1. **Stay alert, watch what you are doing and use common sense when operating a power tool. Do not use a power tool while you are tired or under the influence of drugs, alcohol or medication.** A moment of inattention while operating power tools may result in serious personal injury.
2. **Use personal protective equipment. Always wear eye protection.** Protective equipment such as a dust mask, non-skid safety shoes, hard hat or hearing protection used for appropriate conditions will reduce personal injuries.
3. **Prevent unintentional starting. Ensure the switch is in the off-position before connecting to power source and/or battery pack, picking up or carrying the tool.** Carrying power tools with your finger on the switch or energising power tools that have the switch on invites accidents.
4. **Remove any adjusting key or wrench before turning the power tool on.** A wrench or a key left attached to a rotating part of the power tool may result in personal injury.
5. **Do not overreach. Keep proper footing and balance at all times.** This enables better control of the power tool in unexpected situations.
6. **Dress properly. Do not wear loose clothing or jewellery. Keep your hair and clothing away from moving parts.** Loose clothes, jewellery or long hair can be caught in moving parts.
7. **If devices are provided for the connection of dust extraction and collection facilities, ensure these are connected and properly used.** Use of dust collection can reduce dust-related hazards.
8. **Do not let familiarity gained from frequent use of tools allow you to become complacent and ignore tool safety principles.** A careless action can cause severe injury within a fraction of a second.
9. **Always wear protective goggles to protect your eyes from injury when using power tools.** The goggles must comply with ANSI Z87.1 in the USA, EN 166 in Europe, or AS/NZS 1336 in Australia/New Zealand. In Australia/New Zealand, it is legally required to wear a face shield to protect your face, too.



It is an employer's responsibility to enforce the use of appropriate safety protective equipments by the tool operators and by other persons in the immediate working area.

## Power tool use and care

1. **Do not force the power tool. Use the correct power tool for your application.** The correct power tool will do the job better and safer at the rate for which it was designed.
2. **Do not use the power tool if the switch does not turn it on and off.** Any power tool that cannot be controlled with the switch is dangerous and must be repaired.
3. **Disconnect the plug from the power source and/or remove the battery pack, if detachable, from the power tool before making any adjustments, changing accessories, or storing power tools.** Such preventive safety measures reduce the risk of starting the power tool accidentally.
4. **Store idle power tools out of the reach of children and do not allow persons unfamiliar with the power tool or these instructions to operate the power tool.** Power tools are dangerous in the hands of untrained users.
5. **Maintain power tools and accessories. Check for misalignment or binding of moving parts, breakage of parts and any other condition that may affect the power tool's operation. If damaged, have the power tool repaired before use.** Many accidents are caused by poorly maintained power tools.
6. **Keep cutting tools sharp and clean.** Properly maintained cutting tools with sharp cutting edges are less likely to bind and are easier to control.
7. **Use the power tool, accessories and tool bits etc. in accordance with these instructions, taking into account the working conditions and the work to be performed.** Use of the power tool for operations different from those intended could result in a hazardous situation.
8. **Keep handles and grasping surfaces dry, clean and free from oil and grease.** Slippery handles and grasping surfaces do not allow for safe handling and control of the tool in unexpected situations.
9. **When using the tool, do not wear cloth work gloves which may be entangled.** The entanglement of cloth work gloves in the moving parts may result in personal injury.

## Service

1. **Have your power tool serviced by a qualified repair person using only identical replacement parts.** This will ensure that the safety of the power tool is maintained.
2. **Follow instruction for lubricating and changing accessories.**

## Electric Breaker safety warnings

1. **Wear ear protectors.** Exposure to noise can cause hearing loss.
2. **Use auxiliary handle(s), if supplied with the tool.** Loss of control can cause personal injury.
3. **Hold power tool by insulated gripping surfaces, when performing an operation where the cutting accessory may contact hidden wiring or its own cord.** Cutting accessory contacting a "live" wire may make exposed metal parts of the power tool "live" and could give the operator an electric shock.
4. **Wear a hard hat (safety helmet), safety glasses and/or face shield. Ordinary eye or sun glasses are NOT safety glasses.** It is also highly recommended that you wear a dust mask and thickly padded gloves.
5. **Be sure the bit is secured in place before operation.**
6. **Under normal operation, the tool is designed to produce vibration. The screws can come loose easily, causing a breakdown or accident. Check tightness of screws carefully before operation.**
7. **In cold weather or when the tool has not been used for a long time, let the tool warm up for a while by operating it under no load. This will loosen up the lubrication. Without proper warm-up, hammering operation is difficult.**
8. **Always be sure you have a firm footing. Be sure no one is below when using the tool in high locations.**
9. **Hold the tool firmly with both hands.**

10. Keep hands away from moving parts.
11. Do not leave the tool running. Operate the tool only when hand-held.
12. Do not point the tool at any one in the area when operating. The bit could fly out and injure someone seriously.
13. Do not touch the bit, parts close to the bit, or workpiece immediately after operation; they may be extremely hot and could burn your skin.
14. Some material contains chemicals which may be toxic. Take caution to prevent dust inhalation and skin contact. Follow material supplier safety data.
15. Do not touch the power plug with wet hands.
16. Before operation, make sure that there is no buried object such as electric pipe, water pipe or gas pipe in the working area. Otherwise, the bit may touch them, resulting in an electric shock, electrical leakage or gas leak.
17. Do not operate the tool at no-load unnecessarily.

## SAVE THESE INSTRUCTIONS.

**⚠ WARNING:** DO NOT let comfort or familiarity with product (gained from repeated use) replace strict adherence to safety rules for the subject product. MISUSE or failure to follow the safety rules stated in this instruction manual may cause serious personal injury.

## FUNCTIONAL DESCRIPTION

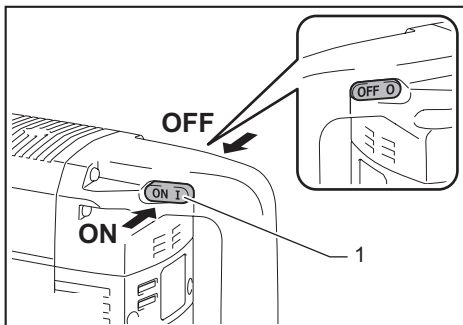
**⚠ CAUTION:** Always be sure that the tool is switched off and unplugged before adjusting or checking function on the tool.

### Switch action

**⚠ CAUTION:** Before plugging in the tool, always check to see that the switch lever actuates properly and returns to the "OFF" position.

**⚠ CAUTION:** Switch can be locked in "ON" position for ease of operator comfort during extended use. Apply caution when locking tool in "ON" position and maintain firm grasp on tool.

To start the tool, push the switch lever "ON (I)" on the left side of the tool. To stop the tool, push the switch lever "OFF (O)" on the right side of the tool.



► 1. Switch lever

## Indicator lamp

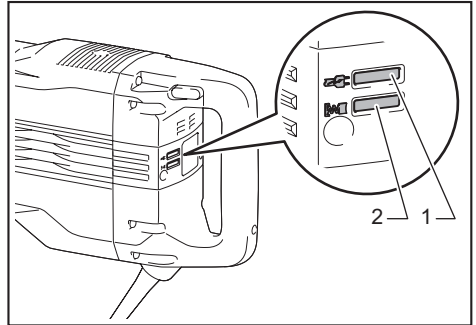
The power-ON indicator lamp lights up in green when the tool is plugged.

If the indicator lamp does not light up, the mains cord or the controller may be malfunction.

The indicator lamp lights up but the tool does not start even if the tool is switched on, the carbon brushes may be worn out, or the controller, the motor or the switch may be malfunction.

The service indicator lamp flickers up in red when the carbon brushes are nearly worn out to indicate that the tool needs servicing.

After approx. 8 hours of use, the motor will automatically be shut off.



► 1. Power-ON indicator lamp (green) 2. Service indicator lamp (red)

## Electronic function

The tool is equipped with the electronic functions for easy operation.

- Soft no-load rotation function (For Model HM1511, HM1512 only)  
Blows at no load per minute becomes smaller than those on load in order to reduce vibration under no load, but this does not show trouble.  
Once operation starts with a bit against concrete, blows per minute increase.  
When temperature is low, the tool may not have this function even with the motor rotating.
- Soft start  
The soft-start function minimizes start-up shock, and makes the machine start smoothly.

## ASSEMBLY

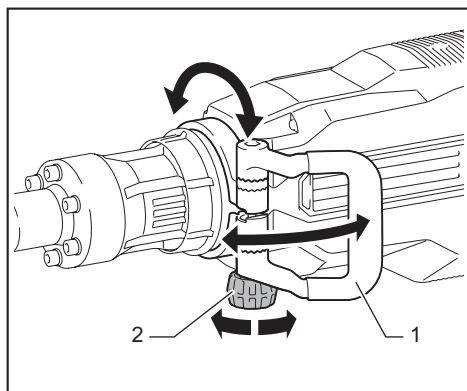
**⚠ CAUTION:** Always be sure that the tool is switched off and unplugged before carrying out any work on the tool.

### Side handle (auxiliary handle)

**⚠ CAUTION:** Always use the side handle to ensure safe operation.

**⚠ CAUTION:** After installing or adjusting the side handle, make sure that the side handle is firmly secured.

The side handle can be swung 360° on the vertical and secured at any desired position. Loosen the clamp nut to swing the side handle to a desired position, and then tighten the clamp nut securely.



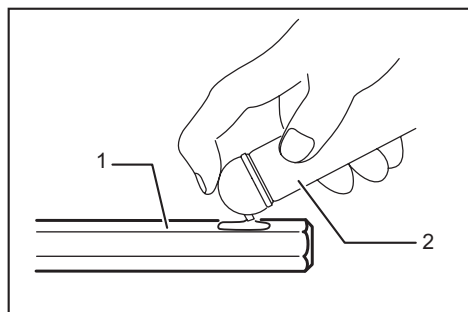
► 1. Side handle 2. Clamp nut

### Installing or removing the bit

#### Grease

Clean the shank end of the bit and apply grease before installing the bit.

Coat the shank end of the bit beforehand with a small amount of grease (about 0.5 - 1 g). This chuck lubrication assures smooth action and longer service life.



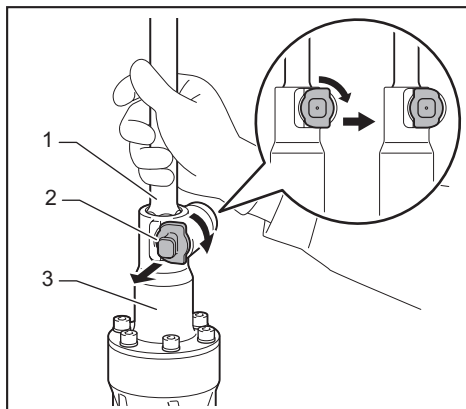
► 1. Shank end 2. Grease

### Installing the bit

**⚠ CAUTION:** Always assure that the bit is securely retained by attempting to pull the bit out of the tool holder after completing the above procedure.

#### For Model HM1511, HM1501 only

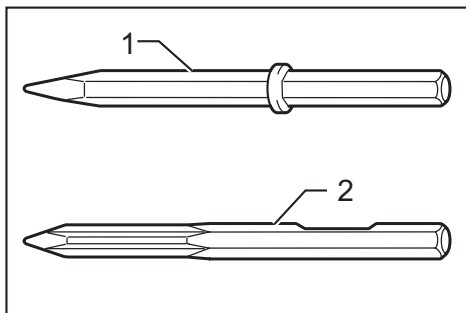
With the notched portion on the shank of the bit facing toward the tool retainer, insert the bit into the tool holder as far as it will go. Then pull out and turn the tool retainer 180° to secure the bit.



► 1. Bit 2. Tool retainer 3. Tool holder

#### For Model HM1512, HM1502 only

This tool accepts bits either with or without a collar on its shank.



► 1. Bit with collar 2. Bit without collar

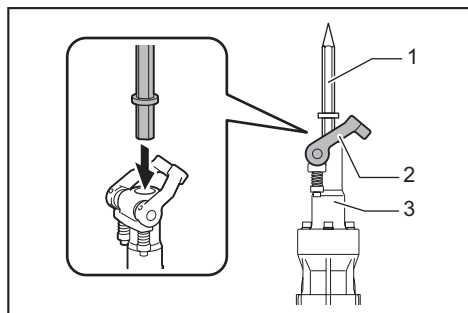
To install the bit, follow either procedure (1) or (2) described below.

**NOTICE:** The bit without a collar cannot be retained by procedure (1).

**(1) For bits with a collar**

Pivot the tool retainer as shown in the figure.  
Insert the bit into the tool holder as far as it will go.

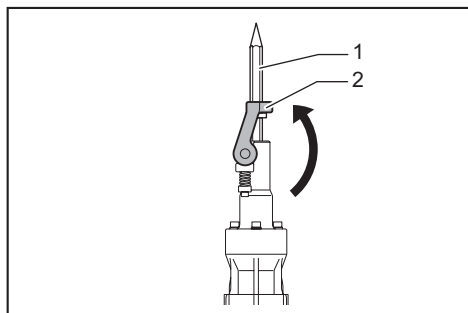
**When inserting the bit**



► 1. Bit 2. Tool retainer 3. Tool holder

To secure the bit, return the tool retainer as shown in the figure.

**When the bit is retained**

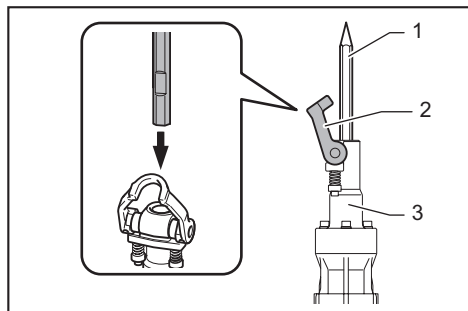


► 1. Bit 2. Tool retainer

**(2) For bits without a collar**

Pivot the tool retainer as shown in the figure. With the notched portion of the bit facing the tool retainer shaft, insert the bit into the tool holder as far as it will go.

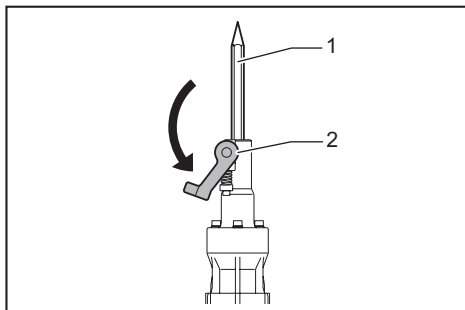
**When inserting the bit**



► 1. Bit 2. Tool retainer 3. Tool holder

To secure the bit, pivot the tool retainer as shown in the figure.

**When the bit is retained**



► 1. Bit 2. Tool retainer

**Removing the bit**

To remove the bit, follow the installation procedure in reverse.

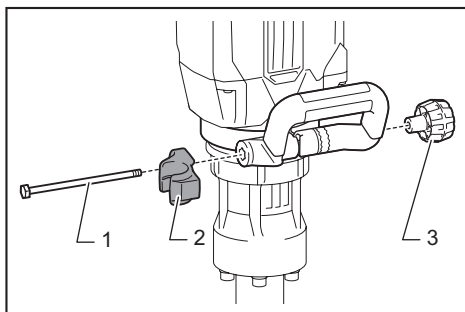
**Dust extractor attachment**

**Optional accessory**

The dust extractor attachment is intended for reducing blown-away dust and particles when chiseling in a ceramic material such as concrete.

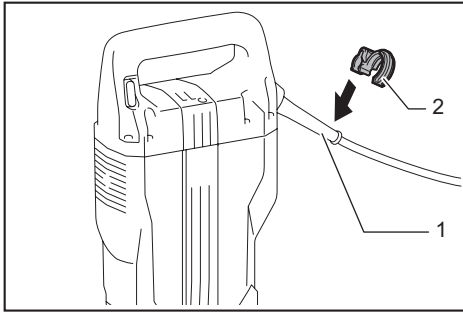
**1. Install the hose holder (A).**

Loosen the clamp nut, and then remove the hex bolt. Install the hose holder (A) between the hex bolt and the clamp nut by tightening the clamp nut firmly.



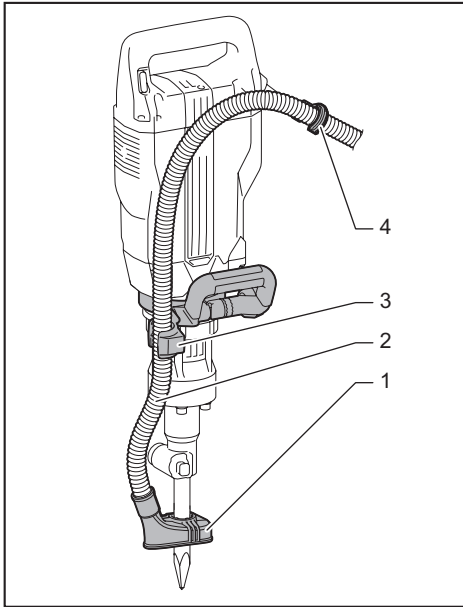
► 1. Hex bolt 2. Hose holder (A) 3. Clamp nut

2. Attach the hose holder (C) to the cord guard.



- 1. Cord guard 2. Hose holder (C)

3. Attach the dust cover and the hose to the tool, and then fix the hose to the hose holders.



- 1. Dust cover 2. Hose 3. Hose holder (A) 4. Hose holder (C)

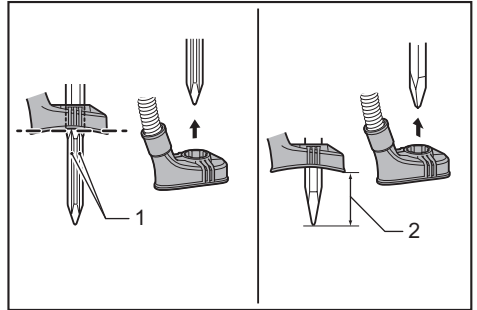
4. Connect the hose to the hose of the vacuum cleaner with the hose joint.

**NOTE:** If the hose is not included, attach the dust cover to the cleaner's joint or attach it to Makita's hose  $\varnothing 28$ .

5. Adjust the distance between the dust cover and the tip of the chisel or bull point.

For the self sharpening bull point, adjust the dust cover not to veil the grooves of the self sharpening bull point.

For the bits other than the self sharpening bull point, the recommended distance is 30 mm to 100 mm.



- 1. Groove 2. 30 mm to 100 mm

## OPERATION

**CAUTION:** Always use the side grip (auxiliary handle) and firmly hold the tool by both side grip and switch handle during operations.

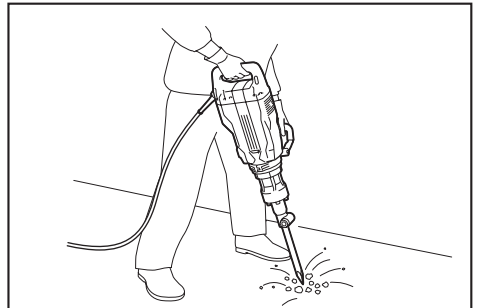
**CAUTION:** Always make sure that the workpiece is secured before operation. Failure to properly secure the workpiece may cause the workpiece to move resulting in injury.

**CAUTION:** Do not pull the tool out forcibly even the bit gets stuck. Loss of control may cause injury.

**CAUTION:** Do not leave the tool stabbed in the workpiece. Otherwise the tool may start unintentionally and cause an injury.

## Chipping/Scaling/Demolition

Hold the tool firmly with both hands. Turn the tool on and apply slight pressure on the tool so that the tool will not bounce around, uncontrolled. Pressing very hard on the tool will not increase the efficiency.



## MAINTENANCE

**⚠ CAUTION:** Always be sure that the tool is switched off and unplugged before attempting to perform inspection or maintenance.

**NOTICE:** Never use gasoline, benzine, thinner, alcohol or the like. Discoloration, deformation or cracks may result.

To maintain product SAFETY and RELIABILITY, repairs, any other maintenance or adjustment should be performed by Makita Authorized or Factory Service Centers, always using Makita replacement parts.

### Lubrication

**⚠ CAUTION:** This servicing should be performed by Makita Authorized Service Centers only.

This tool requires no hourly or daily lubrication because it has a grease-packed lubrication system. It should be relubricated regularly. Send the complete tool to Makita Authorized or Factory Service Center for this lubrication service.

## OPTIONAL ACCESSORIES

**⚠ CAUTION:** These accessories or attachments are recommended for use with your Makita tool specified in this manual. The use of any other accessories or attachments might present a risk of injury to persons. Only use accessory or attachment for its stated purpose.

If you need any assistance for more details regarding these accessories, ask your local Makita Service Center.

- Bull point
- Cold chisel
- Scaling chisel
- Clay spade
- Rammer
- Bit grease
- Dust extractor attachment
- Safety goggles
- Hammer carrier

**NOTE:** Some items in the list may be included in the tool package as standard accessories. They may differ from country to country.

Makita Corporation  
3-11-8, Sumiyoshi-cho,  
Anjo, Aichi 446-8502 Japan  
[www.makita.com](http://www.makita.com)

885835-921  
EN  
20201118